

# INSTRUCTOR'S WORKSHOP

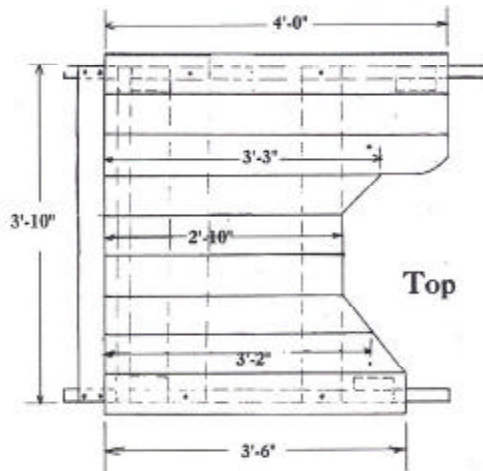
## Shooting Bench for Physically Challenged

Submitted by Bernie Heer, Area Chief, San Antonio, Tx



### Materials Needed

- Right Side Brace**  
 2x6x2'-6<sup>5</sup>/<sub>8</sub>" 2 ea  
 2x8x4'-6" 1 ea (runner)  
 2x6x3'-1" 1 ea
- Right Side Brace**  
 2x6x2'-6<sup>5</sup>/<sub>8</sub>" 2 ea  
 2x8x5'-0" 1 ea (runner)  
 2x6x3'-6" 1 ea
- Front Connectors**  
 2x6x3'-7" 2 ea  
 2x6x3'-10" 1 ea  
 2x6x4'-0" 1 ea (angle cut)
- Top Cross Connectors**  
 2x6x3'-10" 2 ea
- Bottom Cross Connectors**  
 2x6x3'-10" 1 ea
- Top Runners**  
 2x6x4'-0" 3 ea  
 2x6x3'-6" 2 ea  
 2x6x2'-10" 2 ea  
 2x6x3'-2" 1 ea  
 2x6x3'-2" 1 ea
- Carriage Bolts**  
 5/16"x3 1/2" 36 ea  
 5/16"x8" 18 ea  
 5/16"x10" 2 ea  
 5/16"x7 1/2" 6 ea
- Wood Screws**  
 10x2 1/2" 4 doz
- Nuts**  
 5/16" 66 ea
- Washers**  
 5/16" 66 ea

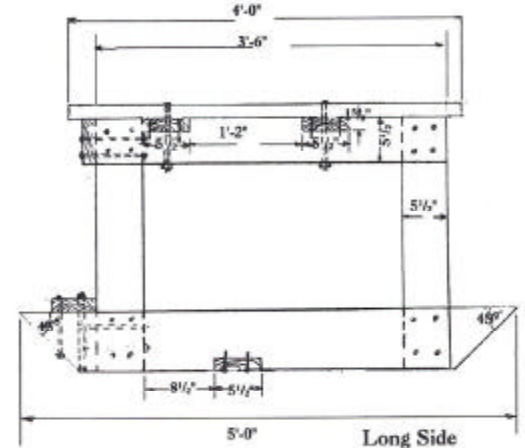


### Cutting List

Piece	Quantity (Size board to cut from)
2x6x2'-6 <sup>5</sup> / <sub>8</sub> "	4 pcs (one 8') <sup>1</sup>
2x6x3'-6" 3	pcs (one 8') <sup>2</sup>
2x6x3'-10"	4 pcs (two 8')
2x6x3'-7"	2 pcs (one 8')
2x6x4'-0"	4 pcs (two 8') <sup>2</sup>
2x6x2'-10"	1 pc (one 10') <sup>1</sup>
2x6x3'-3"	1 pc
2x6x3'-2"	1 pc } (one 10')
2x6x3'1	1 pc }

<sup>1</sup> one 2'6<sup>5</sup>/<sub>8</sub>" and one 2'-x10" board can be cut from one 10' board

<sup>2</sup> one 3'-6" and one 4'-0" board can be cut from one 8' board



### Side Views

